

## NVR410-E2S-P Series



### Key Features :

Support Ultra265/H.265/H.264 video formats

8/16-channel input

Plug & Play with 8/16 independent PoE network interfaces

Third-party IP cameras supported with ONVIF conformance: Profile S, Profile G, Profile T

Support HDMI and VGA simultaneous output

Up to 8 Megapixels resolution recording

2 SATA HDDs, up to 10TB for each HDD

ANR technology to enhance the storage reliability when the network is disconnected

Support cloud upgrade

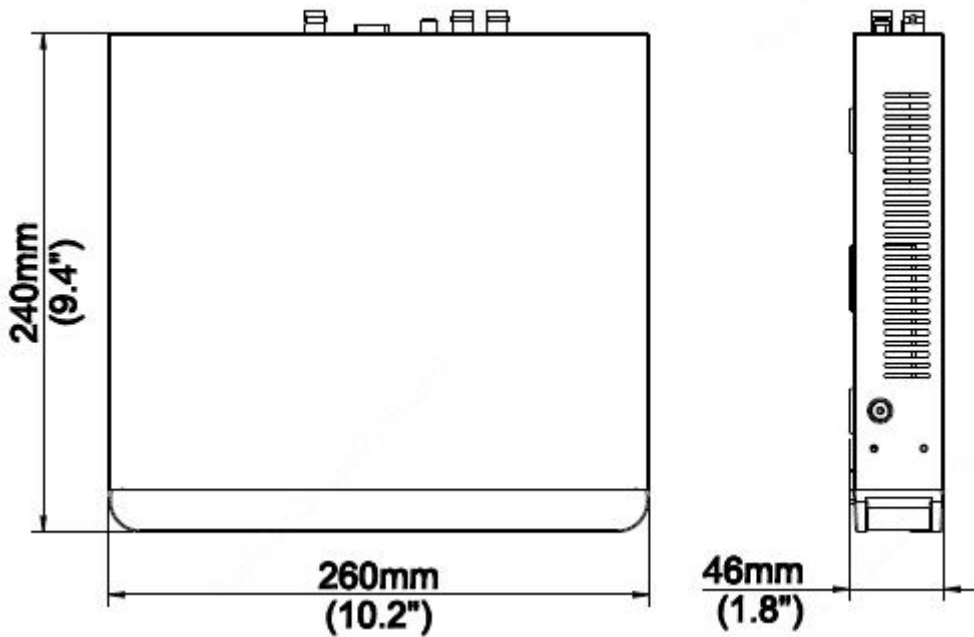
## Specification

Model	NVR4108E2S-P8	NVR4116E2S-P16
<b>Video/Audio Input</b>		
IP Video Input	8-ch	16-ch
Two-way Audio Input	1-ch, RCA	
<b>Network</b>		
Incoming Bandwidth	160Mbps	
Outgoing Bandwidth	96Mbps	96Mbps
Remote Users	128	
Protocols	P2P, UPnP, NTP, DHCP, PPPoE	
<b>Video/Audio Output</b>		
HDMI/VGA Output	VGA:1024X768@60, 1280X720@60, 1280X1024@60, 1920X1080@50, 1920X1080@60	
	HDMI:4k (3840x2160@30), 4k (3840x2160@60), 1024X768@60, 1280X720@60, 1280X1024@60, 1920X1080@50, 1920X1080@60	
Recording Resolution	8MP/6MP/5MP/4MP/3MP/1080p/960p/720p/D1/2CIF/CIF	
Audio Output	1-ch, RCA	
Synchronous Playback	8-ch	16-ch
Corridor Mode Screen	3/4/5/7/9	3/4/5/7/9/10/12/16
<b>Decoding</b>		
Decoding format	Ultra265/H.265/H.264	
Live view/Playback	8MP/6MP/5MP/4MP/3MP/1080p/960p/720p/D1/2CIF/CIF	
Capability	1 x 4K@30, 2 x 4MP@30, 3 x 3MP@25, 4 x 1080P@30, 8 x 720P@30	1 x 4K@30, 2 x 4MP@30, 3 x 3MP@25, 4 x 1080P@30, 8 x 720P@30, 16 x D1
<b>Hard Disk</b>		
SATA	2 SATA interfaces	
Capacity	up to 10TB for each disk	
<b>Smart</b>		
VCA Detection	Face detection, Intrusion detection, Cross line detection, Audio detection, Defocus detection, Scene change detection, Auto tracking	

VCA Search	Face search, Behavior search	
Statistical Analysis	People counting	
<b>External Interface</b>		
Network Interface	1 RJ-45 10M/100M/1000M self-adaptive Ethernet Interface	
USB Interface	Front panel: 1 x USB2.0, Rear panel: 1 x USB2.0	
Alarm In	4-ch	
Alarm Out	1-ch	
<b>PoE</b>		
Interface	8 RJ-45 10M/100M self-adaptive Ethernet Interface	
Max Power	Max 30W for single port	Max 30W for single port
	Max 130W in total	Max 130W in total
Supported Standard	IEEE 802.3af/at	
<b>General</b>		
Power Supply	220V AC	
	Power Consumption: ≤9 W (without HDD)	
Working Environment	-10°C~+ 55°C (+14°F~+131°F), Humidity ≤ 90% RH (non-condensing)	
Dimensions (W×D×H)	380mm ×315mm × 53mm (15.0" × 12.4" ×2.1")	
Weight (without HDD)	≤2.4kg (5.29lb)	
Supported Standard	IEEE 802.3at, IEEE 802.3af	
<b>General</b>		
Power Supply	48V DC	52V DC
	Power Consumption: ≤9 W (without HDD)	Power Consumption: ≤9 W (without HDD)
Working Environment	-10°C~+ 55°C (+14°F~+131°F), Humidity ≤ 90% RH (non-condensing)	
Dimensions (W×D×H)	260mm ×240mm × 46 mm (10.2" × 9.4" ×1.8")	
Weight (without HDD)	≤1.1kg (2.43lb)	
<b>Certification</b>		
Certification	UL	
	CE	
	FCC	

	RoHS
	WEEE

### Dimensions



Take NVR4104E1S3-P4 Series for example

